

Keysight 16192A Parallel Electrode SMD Test Fixture

NOTICE: This document contains references to Agilent Technologies. Agilent's former Test and Measurement business has become Keysight Technologies. For more information, go to www.keysight.com.



Agilent 16192A Parallel Electrode SMD Test Fixture
Operation and Service Manual



Agilent Part No. 16192-90040
Printed in JAPAN May 2003

Seventh Edition

Notice

The information contained in this document is subject to change without notice.

This document contains proprietary information that is protected by copyright. All rights are reserved. No part of this document may be photocopied, reproduced, or translated to another language without the prior written consent of the Agilent Technologies.

Agilent Technologies Japan, Ltd.
Component Test PGU-Kobe
1-3-2, Murotani, Nishi-ku, Kobe-shi,
Hyogo, 651-2241 Japan

Manual Printing History

The manual printing date and part number indicate its current edition. The printing date changes when a new edition is printed. (Minor corrections and updates that are incorporated at reprint do not cause the date to change.) The manual part number changes when extensive technical changes are incorporated.

December 1993	First Edition
June 1996	Second Edition
October 1996	Third Edition (part number: 16192-90010)
December 1999	Fourth Edition (part number: 16192-90010)
September 2000	Fifth Edition (part number: 16192-90020)
August 2001	Sixth Edition (part number: 16192-90030)
May 2003	Seventh Edition (part number: 16192-90040)

Safety Summary

The following general safety precautions must be observed during all phases of operation, service, and repair of this instrument. Failure to comply with these precautions or with specific **WARNINGS** given elsewhere in this manual violates safety standards of design, manufacture, and intended use of the instrument.

The Agilent Technologies assumes no liability for the customer's failure to comply with these requirements.

DO NOT Operate In An Explosive Atmosphere

Do not operate the instrument in the presence of flammable gasses or fumes. Operation of any electrical instrument in such an environment constitutes a safety hazard.

Keep Away From Live Circuits

Operating personnel must not remove instrument covers. Component replacement and internal adjustments must be made by qualified maintenance personnel. Do not replace components with the power cable connected. Under certain conditions, dangerous voltages may exist even with the power cable removed. To avoid injuries, always disconnect power and discharge circuits before touching them.

DO NOT Service Or Adjust Alone

Do not attempt internal service or adjustment unless another person, capable of rendering first aid and resuscitation, is present.

DO NOT Substitute Parts Or Modify Instrument

Because of the danger of introducing additional hazards, do not substitute parts or perform unauthorized modifications to the instrument. Return the instrument to a Agilent Technologies Sales and Service Office for service and repair to ensure the safety features are maintained.

Dangerous Procedure Warnings

Warnings, such as the example below, precede potentially dangerous procedures throughout this manual. Instructions contained in the warnings must be followed.

Warning



Dangerous voltages, capable of causing death, are present in this instrument. Use extreme caution when handling, testing, and adjusting this instrument.

The voltage levels found in this test fixture when used with the intended instruments do not warrant more than normal safety precautions for operator safety.

Operating Precaution

Do not exceed the operating input power, voltage, and current level and signal type appropriate for the instrument being used, refer to your instrument's operation manual.

Caution



Electrostatic discharge (ESD) can damage the highly sensitive microcircuits in your instrument. ESD damage is most likely to occur as the test fixtures are being connected or disconnected. Protect them from ESD damage by wearing a grounding strap that provides a high resistance path to ground. Alternatively, ground yourself to discharge any static charge built-up by touching the outer shell of any grounded instrument chassis before touching the test port connectors.

Never touch the test clip contacts.

Use a work station equipped with an anti-static work surface.

Certification

Agilent Technologies certifies that this product met its published specifications at the time of shipment from the factory. Agilent Technologies further certifies that its calibration measurements are traceable to the United States National Institute of Standards and Technology, to the extent allowed by the Institution's calibration facility, or to the calibration facilities of other International Standards Organization members.

Warranty

This Agilent Technologies instrument product is warranted against defects in material and workmanship for a period of one year from the date of shipment, except that in the case of certain components listed in *Instrument Specifications* of this manual, the warranty shall be for the specified period. During the warranty period, Agilent Technologies will, at its option, either repair or replace products which prove to be defective.

For warranty service or repair, this product must be returned to a service facility designated by Agilent Technologies. Buyer shall prepay shipping charges to Agilent Technologies and Agilent Technologies shall pay shipping charges to return the product to Buyer. However, Buyer shall pay all shipping charges, duties, and taxes for products returned to Agilent Technologies from another country.

Agilent Technologies warrants that its software and firmware designated by Agilent Technologies for use with an instrument will execute its programming instruction when properly installed on that instrument. Agilent Technologies does not warrant that the operation of the instrument, or software, or firmware will be uninterrupted or error free.

Limitation Of Warranty

The foregoing warranty shall not apply to defects resulting from improper or inadequate maintenance by Buyer, Buyer-supplied software or interfacing, unauthorized modification or misuse, operation outside of the environmental specifications for the product, or improper site preparation or maintenance.

No other warranty is expressed or implied. Agilent Technologies specifically disclaims the implied warranties of merchantability and fitness for a particular purpose.

Exclusive Remedies

The remedies provided herein are buyer's sole and exclusive remedies. Agilent Technologies shall not be liable for any direct, indirect, special, incidental, or consequential damages, whether based on contract, tort, or any other legal theory.

Assistance

Product maintenance agreements and other customer assistance agreements are available for Agilent Technologies products.

For any assistance, contact your nearest Agilent Technologies Sales and Service Office. Addresses are provided at the back of this manual.

Safety Symbols

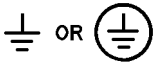
General definitions of safety symbols used on equipment or in manuals.



Instruction manual symbol: the product is marked with this symbol when it is necessary for the user to refer to the instruction manual in order to protect against damage to the instrument.



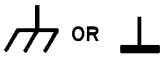
Indicates dangerous voltage (terminals fed from the interior by voltage exceeding 1000 volts must be so marked).



Protective conductor terminal. For protection against electrical shock in case of a fault. Used with wiring terminals to indicate the terminal which must be connected to ground before operating equipment.



Low-noise or noiseless, clean ground (earth) terminal. Used for a signal common, as well as providing protection against electrical shock in case of fault. A terminal marked with this symbol must be connected to ground in the manner described in the installation (Operation) manual, and before operating the equipment.



Frame or chassis terminal. A connection to the frame (chassis) of the equipment which normally includes all exposed metal structures.



Alternating current (power line).



Direct current (power line).



Alternating or direct current (power line).

Warning



Warning denotes a hazard. It calls attention to a procedure, practice, condition or the like, which, if not correctly performed or adhered to, could result in injury or death to personnel.

Caution



Caution sign denotes a hazard. It calls attention to a procedure, practice, condition or the like, which, if not correctly performed or adhered to, could result damage to or destruction of part or all of the product.

Note



Note denotes important information. It calls attention to a procedure, practice, condition or the like, which is essential to highlight.

APC-7® is a U.S. registered trademark of the Bunker Ramo Corporation.

Contents

1. General Information	
Introduction	1-1
Manual Summary	1-1
Product Description	1-1
Applicable Instruments	1-1
Options Available	1-2
Accessories Supplied	1-2
Specifications	1-3
Supplemental Performance Characteristics	1-3
Residual Inductance of the Shorting Bar	1-4
2. Preparation for Use	
Introduction	2-1
Initial Inspection	2-1
Adjusting the Configuration to SMD Size	2-3
Connecting the Test Fixture for Use	2-4
Repackaging the Test Fixture For Shipment	2-5
Measurement Error Correcting Function for Each Instrument	2-6
3. Operation	
Introduction	3-1
Operating Flow	3-1
Overview	3-2
How to set the SHORT condition, and the OPEN condition	3-3
Setting the SHORT condition	3-3
Setting the OPEN condition	3-4
How to connect the DUT	3-5
4. Service	
Introduction	4-1
General Information	4-1
Assembly Replacement	4-3
Disassembly and Assembly Procedure	4-3
Length Positioning Stage Assembly Removal:	4-3
Width Positioning Stage Assembly Removal:	4-3
Replaceable Parts	4-4
Troubleshooting	4-10
Open Impedance Check	4-10
Short Impedance Check	4-11
Short Impedance Repeatability Check	4-11

Figures

1-1. Applicable DUT Size	1-4
1-2. Simulation Setup	1-5
2-1. 16192A Product Overview	2-2
2-2. Electrodes configuration and SMD Size	2-3
2-3. Connecting the Test Fixture with APC-7 [®] Connector (4291B)	2-4
3-1. 16192A Test Fixture Overview	3-2
4-1. 16192A Product Overview	4-2
4-2. Replaceable Parts for Main Assembly	4-4
4-3. Replaceable Parts for Length Positioning Stage Assembly	4-5
4-4. Replaceable Parts for Insertion Clip Assembly	4-6
4-5. Replaceable Parts for Width Positioning Stage Assembly	4-7
4-6. Replaceable Parts for Test Stage Assembly	4-8
4-7. Obsolete parts manufactured earlier than 1996	4-9
4-8. Shorting Device Position	4-10

Tables

1-1. Furnished Accessories	1-2
1-2. Option 701 Shorting Device Residual Inductance (Typical)	1-4
1-3. Option 010 Shorting Device Residual Inductance (Typical)	1-5
2-1. 16192A Contents	2-2
2-2. Measurement Error Correcting Functions for Each Instrument	2-6
4-1. 16192A Product Overview	4-2
4-2. Replaceable Parts for Main Assembly	4-4
4-3. Replaceable Parts for Length Positioning Stage Assembly	4-5
4-4. Replaceable Parts for Insertion Clip Assembly	4-6
4-5. Replaceable Parts for Width Positioning Stage Assembly	4-7
4-6. Replaceable Parts for Test Stage Assembly	4-9
4-7. Open Impedance Value Guideline	4-11
4-8. Short Impedance Value Guideline	4-11
4-9. Short Impedance Repeatability Guideline	4-11

General Information

Introduction

The purpose of this manual is to enable you to use your 16192A Parallel Electrode SMD Test Fixture efficiently and confidently.

Manual Summary

This manual contains the following:

- The specifications of the 16192A (see this chapter).
- Installing the 16192A (see Chapter 2).
- Operating the 16192A (see Chapter 3).
- Ordering replaceable parts for the 16192A (see Chapter 4).

Product Description

The 16192A is used to measure a parallel electrodes surface mount device (SMD) with high repeatability.

Applicable Instruments

The 16192A has been designed to operate specifically with the following LCR meters and impedance analyzers:

You can directly connect the 16192A to:	4191A, 4291B, E4991A
You can use the 16192A with 43961A:	4395A (option 010), 4396A/B (option 010)
You can use the 16192A with 41951A:	4195A
You can use the 16192A with RF adapter 42942A:	4294A
You can use the 16192A with RF adapter 16085B:	4284A ¹
You can use the 16192A with RF adapter 16099A:	4194A with 41941A ^{2,3}

1 The 4284A is a typical instrument. Other 4-terminal pair instruments that can be used with the 16085B are also applicable.

2 The 4194A with 41941A is a typical instrument. Other instruments that can be used with the 16099A are also applicable.

3 The 16192A is not adapted by some old type 16099A. For detail, please contact your Agilent Technologies sales office.

Options Available

The following option is supplied for the 16192A:

- Option 010 Add industry standard size short bar set
Option 701 Short bars set (1x1x2.4, 1.6x2.4x2, 3.2x2.4x2.4, 4.5x2.4x2.4)mm
Option 710 Add the magnifying lens and tweezers

Accessories Supplied

The following accessories are supplied with the 16192A:

Table 1-1. Furnished Accessories

Description	Part Number	Quantity
Operation and Service Manual	P/N 16192-90040	1
Option 701	P/N 16191-29001	1
	P/N 16191-29002	1
	P/N 16191-29003	1
	P/N 16191-29004	1
	P/N 1540-0692	1
Case for shorting devices	P/N 1540-0692	1
Option 010* ¹	P/N 16191-29005	1
	P/N 16191-29006	1
	P/N 16191-29007	1
	P/N 16191-29008	1
	P/N 16193-60002	1
Magnifying lens* ²	P/N 16193-60002	1
Tweezers* ²	P/N 8710-2081	1
Insulator	P/N 16192-09002	1

*¹ Option 010 sizes are the same as industry standard (EIA/EIAJ) SMD sizes. This short bar set has the following SMD sizes included : 1005(mm)/0402(inch), 1608(mm)/0603(inch), 2012(mm)/0805(inch), 3216(mm)/1206(inch). Order option 010 if the SMD that is to be measured has the same size as the EIA/EIAJ sizes.

*² Furnished with the option 710

Specifications

This section lists the complete 16192A specifications. These specifications are the performance standards and limits against which the 16192A is tested. When shipped from the factory, the 16192A meets the following specifications:

Maximum DC Bias Voltage	$\pm 40\text{V}$
Operating Temperature	-55 to $+85^\circ\text{C}$
Operating Humidity (@wet bulb temperature $<40^\circ\text{C}$)	15 % to 95 % RH
Non-operating Temperature	-55 to $+85^\circ\text{C}$
Non-operating Humidity (@wet bulb temperature $<65^\circ\text{C}$)	Up to 90 % RH
Weight	400 g
Dimension	150(W) \times 70(H) \times 90(D) [mm]

Supplemental Performance Characteristics

This section lists supplemental performance characteristics. Supplemental performance characteristics are not specifications, but are typical characteristics included as additional information for the operator. Supplemental performance characteristics are not guaranteed.

Frequency Range	DC to 2 GHz
Applicable DUT size (see Figure 1-1)	1 mm to 20 mm
Option 701 shorting device size	
P/N 16191-29001	1 \times 1 \times 2.4 [mm]
P/N 16191-29002	1.6 \times 2.4 \times 2 [mm]
P/N 16191-29003	2.4 \times 2.4 \times 3.2 [mm]
P/N 16191-29004	2.4 \times 2.4 \times 4.5 [mm]
Option 010 shorting device size	
P/N 16191-29005	1.0(L) \times 0.5(W) \times 0.5(H) [mm]
P/N 16191-29006	1.6(L) \times 0.8(W) \times 0.8(H) [mm]
P/N 16191-29007	2.0(L) \times 1.2(W) \times 0.8(H) [mm]
P/N 16191-29008	3.2(L) \times 1.6(W) \times 0.8(H) [mm]
Electrical length (when the length between electrodes is 2 mm)	11 mm
Additional Error *	$1.5 \times f^2$ [%]
Repeatability *	
(for inductive component)	$30 + 250 \times f$ [m Ω]
.....	(impedance of 30 m Ω , 40 pH)
.....	$2 + 30 \times f$ [μS]
.....	(admittance of 2 μS , 5 fF)

* f: frequency (GHz)

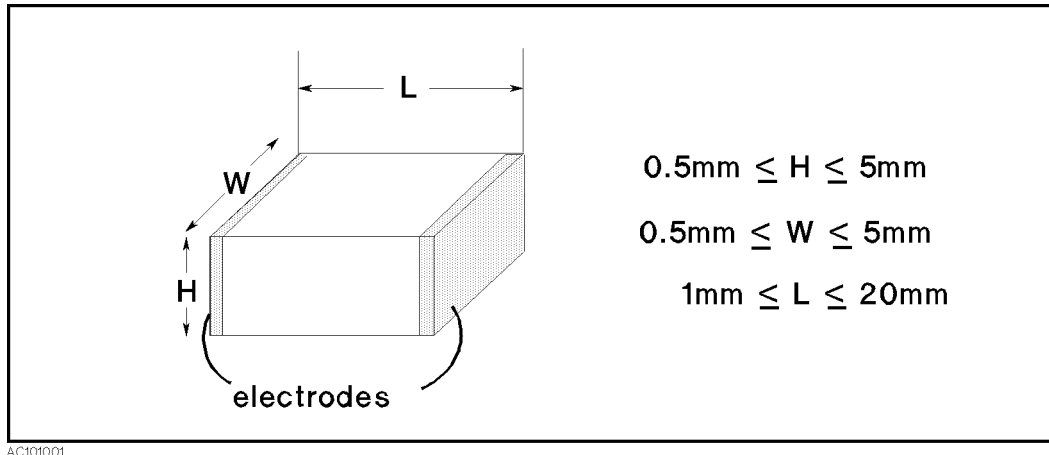


Figure 1-1. Applicable DUT Size

Residual Inductance of the Shorting Bar

The usual method to compensate the test fixture's residual inductance is to let SHORT = 0H. In this method, the measurement result is the relative value of the measured impedance to the shorting bar's impedance. The short bar's residual inductance as a result of its size and shape is not estimated.

On the other hand, there is a definition method to let SHORT = x H. In this method, the measurement result is the absolute value of the device's impedance. The short bar's residual inductance as a result of its size and shape is estimated under specific conditions and is used as a reference value. This method, is useful for devices with values which are close to the short conditions of the measurement system.

The reference inductance values presented Table 1-2 and Table 1-3 were simulated as the relative difference to a disk-type 0 Ω termination on either the 7 mm or the 3.5 mm connector. The measurement of these short bars under other conditions than shown below cannot reproduce the reference inductance values.

Table 1-2. Option 701 Shorting Device Residual Inductance (Typical)

Shorting Bar	l [mm]	d [mm]	h [mm]	Offset [mm]	Connector	Inductance (Typical)
P/N 16191-29001	1	2.4	1	0.75	3.5 mm	0.2 nH
P/N 16191-29002	1.6	2.4	2	0.45	3.5 mm	0.2 nH
P/N 16191-29002	2	2.4	1.6	0.25	3.5 mm	0.2 nH
P/N 16191-29002	2.4	2	1.6	1.3	7 mm	0.7 nH
P/N 16191-29003	3.2	2.4	2.4	0.9	7 mm	0.6 nH
P/N 16191-29004	4.5	2.4	2.4	0	7 mm	0.6 nH

Table 1-3. Option 010 Shorting Device Residual Inductance (Typical)

Shorting Bar	l [mm]	d [mm]	h [mm]	Offset [mm]	Connector	Inductance (Typical)
P/N 16191-29005	1.0	0.5	0.5	0.75	3.5 mm	0.5 nH
P/N 16191-29006	1.6	0.8	0.8	0.45	3.5 mm	0.4 nH
P/N 16191-29007	2.0	1.2	0.8	1.5	7 mm	0.9 nH
P/N 16191-29008	3.2	1.6	0.8	0.9	7 mm	0.8 nH

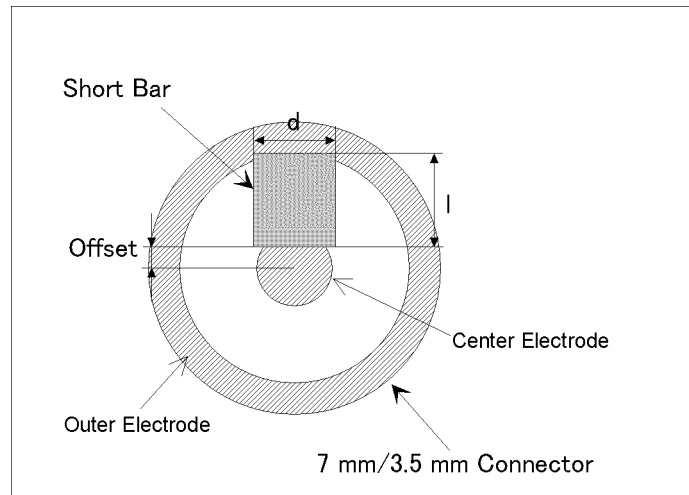


Figure 1-2. Simulation Setup

Preparation for Use

Introduction

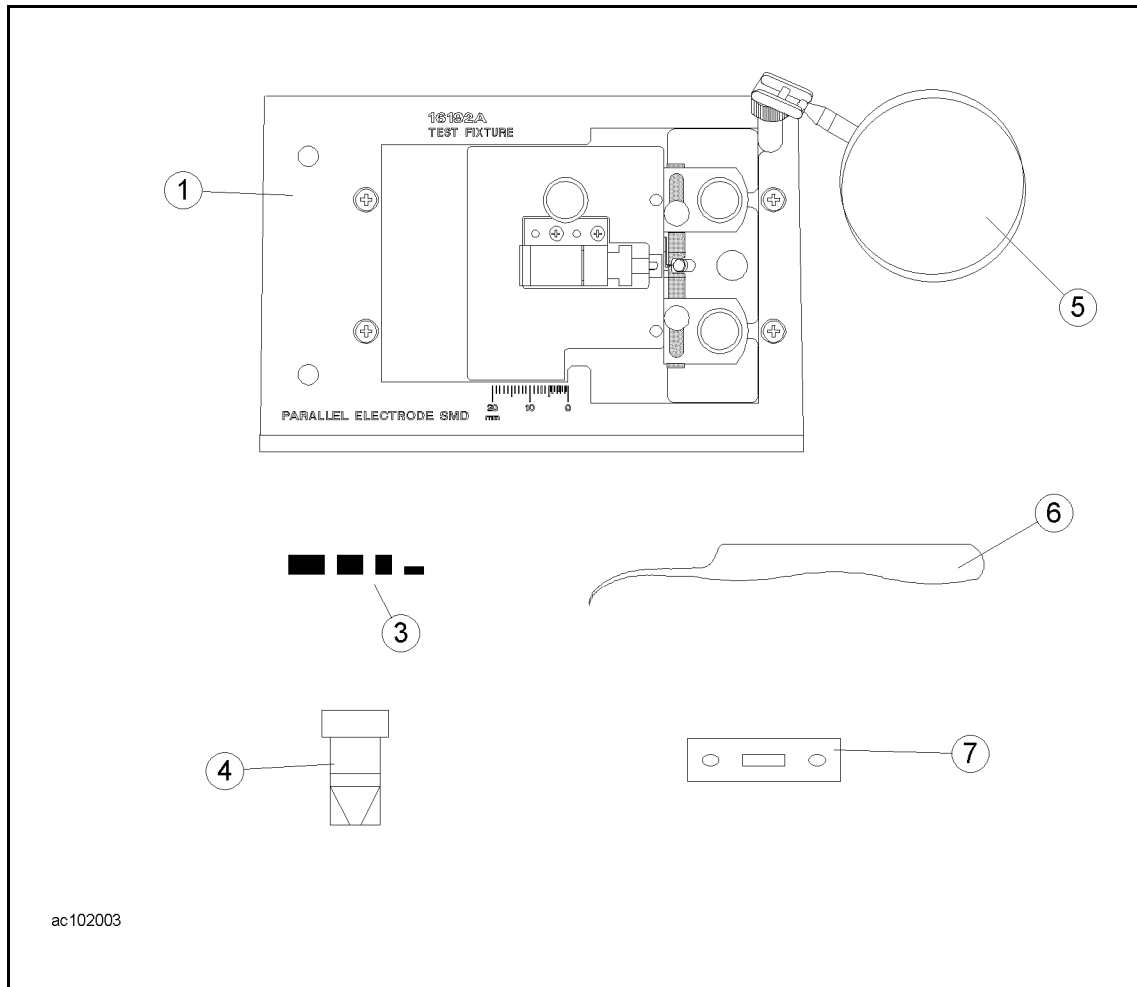
This chapter explains how to install the 16192A. The topics include the following:

- Initial inspection.
- Connecting the test fixture for use.
- Repackaging the test fixture for shipment.
- Measurement error correcting function for each instrument.

Initial Inspection

The parallel electrode SMD test fixture has been carefully inspected before being shipped from the factory. It should be in perfect physical condition, no scratches, dents or the like. It should also be in perfect electrical condition. Verify this by carefully performing an incoming inspection to check the parallel electrode SMD test fixture set for signs of physical damage and missing contents. If any discrepancy is found, notify the carrier and Agilent Technologies. Your Agilent Technologies sales office will arrange for repair and replacement without waiting for the claim to be settled.

- Inspect the shipping container for damage. Keep the shipping materials until the inspection is completed.
- Verify that the shipping container contains everything shown in Figure 2-1 and listed in Table 2-1.
- Inspect the exterior of the 16192A for any signs of damage.



ac102003

Figure 2-1. 16192A Product Overview

Table 2-1. 16192A Contents

Description	Agilent Part Number	Quantity
① Test fixture	16192A	1
② Operation and Service Manual ¹	P/N 16192-90040	1
③ Shorting device ² (1×1×2.4[mm])	P/N 16191-29001	1
(1.6×2.4×2[mm])	P/N 16191-29002	1
(2.4×2.4×3.2[mm])	P/N 16191-29003	1
(2.4×2.4×4.5[mm])	P/N 16191-29004	1
④ Case for shorting device	P/N 1540-0692	1
⑤ Magnifying lens ³⁴	P/N 16193-60002	1
⑥ Tweezers ⁴	P/N 8710-2081	1
⑦ Insulator	P/N 16192-09002	1

1 Operation and Service Manual is not shown in Figure 2-1.

2 Contained if you ordered the 16192A option 701.

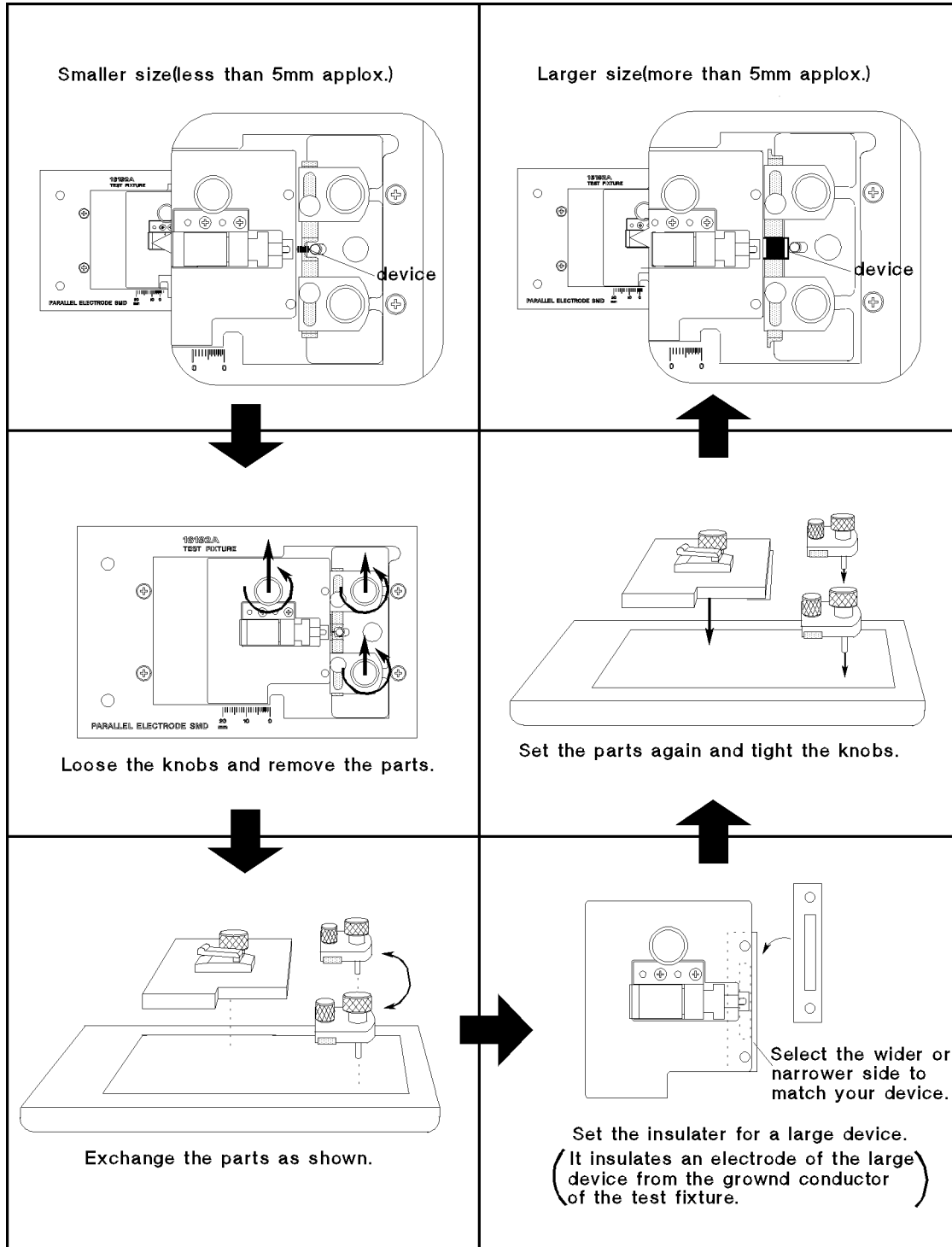
3 The magnifying lens is packed separately from the 16192A body. Connect it as shown in Figure 2-1.

4 Contained if you ordered the 16192A option 710.

2.2 Preparation for Use

Adjusting the Configuration to SMD Size

The 16192A's applicable SMD size is 1 mm to 20 mm, changing the electrodes configuration as follows.



AC102002

Figure 2-2. Electrodes configuration and SMD Size

Connecting the Test Fixture for Use

Note



Some instruments require an adapter to be connected to the 16192A (see “Applicable Instruments” in Chapter 1).

1. Calibrate your analyzer at the APC-7[®] connector plane before connecting test fixture. See Table 2-2 for the applicable error correcting function. After calibration, disconnect any standards from the APC-7[®] connector.
2. Place the fixture on the APC-7[®] connector.
3. Tighten (turn counterclockwise) the coupling nut of the APC-7[®] connector.

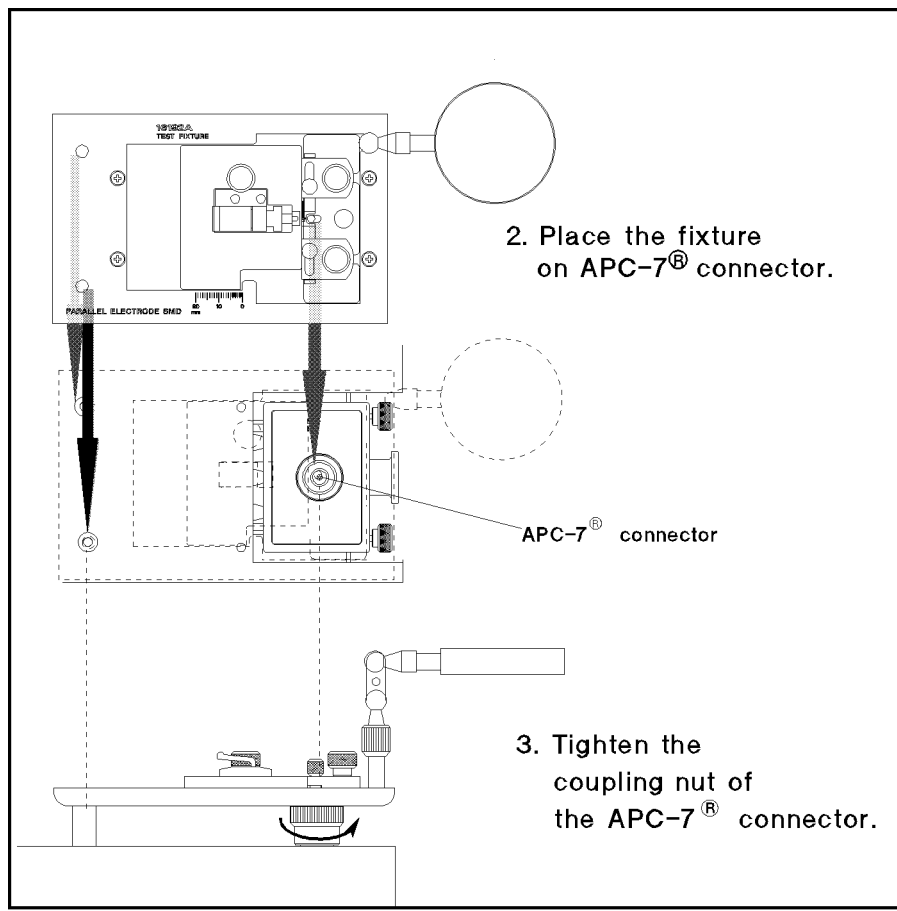


Figure 2-3. Connecting the Test Fixture with APC-7[®] Connector (4291B)

Repackaging the Test Fixture For Shipment

If shipment to an Agilent Technologies service center is required, each test fixture should be repackaged using the original factory packaging materials.

If this material is not available, comparable packaging materials may be used. Wrap the parallel electrode SMD test fixture in heavy paper and pack in anti-static plastic packing material. Use sufficient shock absorbing material on all sides of the 16192A to provide a thick, firm cushion and to prevent movement. Seal the shipping container securely and mark it *FRAGILE*.

Measurement Error Correcting Function for Each Instrument

Each LCR meter or analyzer has measurement error correcting functions. Table 2-2 shows the functions of the instrument that can be used for calibration, setting the electrical length, and Open/Short/Load compensation.

Table 2-2. Measurement Error Correcting Functions for Each Instrument

Instrument	Calibration	Electrical length	OPEN Compensation	SHORT Compensation	LOAD Compensation
4291A	Calibration OPEN SHORT LOAD LOW-LOSS Capacitor ¹	Selecting Test Fixture Port Extension	OPEN Compensation	SHORT Compensation	LOAD Compensation ¹
4191A	Calibration 0 S 0 Ω 50 Ω	Electrical Length	No capability	No capability	No capability
4194A with 16085B	No capability	No capability	OPEN Correction	SHORT Correction	LOAD Correction ¹
4195A with 41951A	Calibration OPEN SHORT LOAD	Port Extension (Port 1 or Port 2)	0 S OFFSET	0 Ω OFFSET	No capability
4194A with 41941A/B, 16099A	Calibration 0 S 0 Ω 50 Ω	No capability	Compensation ZERO OPEN	Compensation ZERO SHORT	No capability
4194A with 16085B	Calibration 0 S 0 Ω 50 Ω	No capability	Compensation ZERO OPEN	Compensation ZERO SHORT	No capability

¹ According to demand for precise measurement

Operation

Introduction

This chapter describes how to use the test fixture and the measurement error correcting techniques for the test fixture.

Operating Flow

Before performing a measurement, you have to compensate for the residual error of the test fixture by using the measurement error correcting functions. Perform the following steps when measuring the DUT:

The 16192A has inherent stray capacitance, residual inductance, and residual resistance that affect the measurement. To compensate for these residuals and thus minimize their effect on measurement accuracy, the measurement instrument's OPEN and SHORT compensation capabilities must be used.

(▶ indicates procedures in the following pages.)

• Select the DUT size
• Calibrate your analyzer
• Connect the Test Fixture

AC00CM001

Set the electrical length *

Perform fixture compensation *
SHORT compensation
↓
(LOAD compensation)
↓
OPEN compensation

Connect the device under test (DUT)

Measurement

Described in Chapter 2.

The 16192A's electrical length is 11 mm (typical value).
To set the electrical length, see your analyzer's Operation Manual.

To set the fixture and devices for fixture compensation, see:

▶ "How to set the SHORT condition, and the OPEN condition"

These procedures show how to set the test fixture for the OPEN/SHORT/LOAD compensation procedure.

For how to measure OPEN/SHORT/LOAD, see the Operation Manual supplied with your analyzer. (You can omit LOAD compensation.)

To connect the DUT, see:

▶ "How to connect the DUT"

* The compensating functions are different for each instrument. See Table 2-2 and perform the listed functions.

Overview

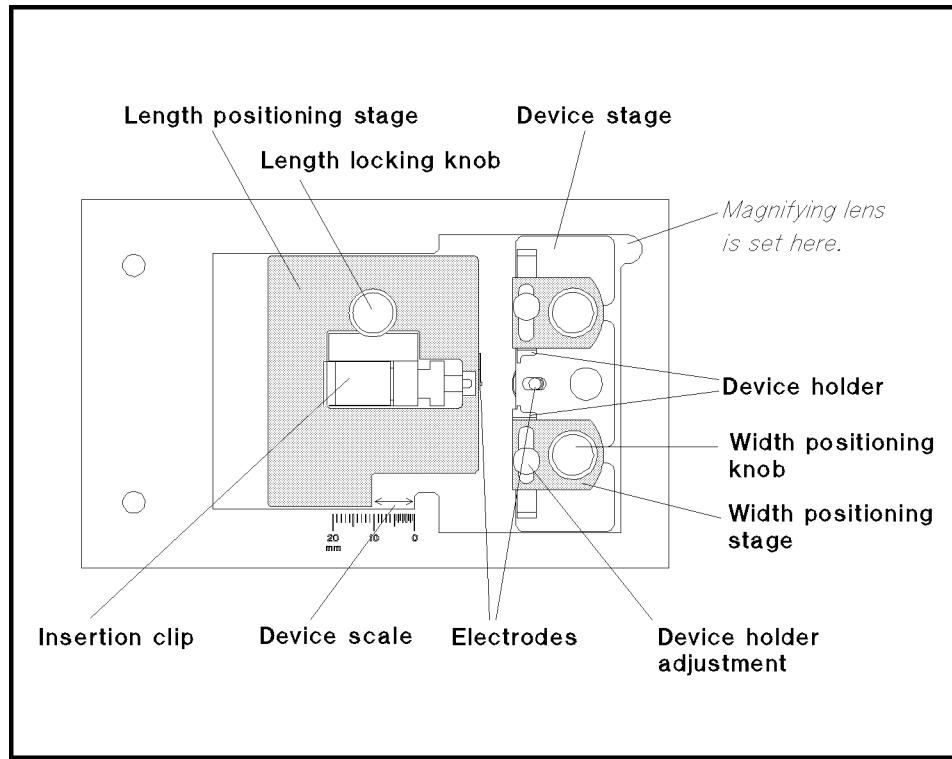


Figure 3-1. 16192A Test Fixture Overview

Length positioning stage	Slides to fix an electrode.
Length locking knob	Fixes the length positioning stage.
Device stage	Teflon sheet to place the device.
Device holder	Fixes a device.
Width locking knob	Fixes the width positioning stage.
Width positioning stage	Fixes the device holder and the device stage.
Device holder adjustment	Moves the device holder.
Electrodes	These are connected to the device.
Device scale	Used for rough adjustment of the length positioning stage.
Insertion clip	Tightens or loosens an electrode.
Shorting device	<i>(Not shown in Figure 3-1)</i> Used for short compensation.

If you ordered the Option 010 or 701, four types of shorting devices are supplied with the 16192A. Use one that has dimensions similar to the DUT. When making a shorting device of same dimensions as your DUT, very low residual impedance and a high conductivity metal (that is not easily corroded) must be used to construct the shorting device. (It must also be clean.)

Magnifying lens *(Not shown in Figure 3-1)* Used when placing a small device within the electrodes.

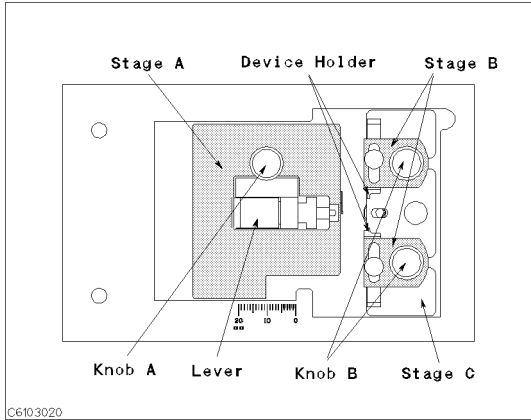
Warning DO NOT look at the sun through the magnifying glass.



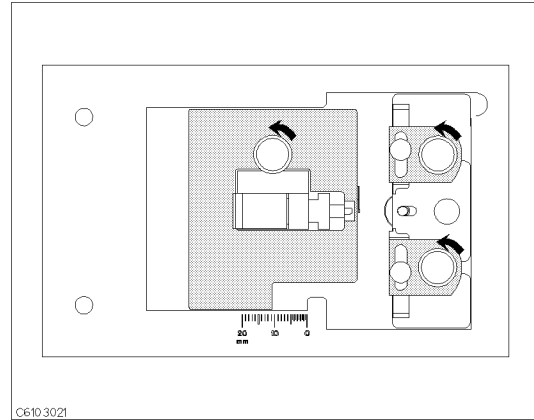
DO NOT operate or leave the magnifying glass under direct sunlight.

How to set the SHORT condition, and the OPEN condition

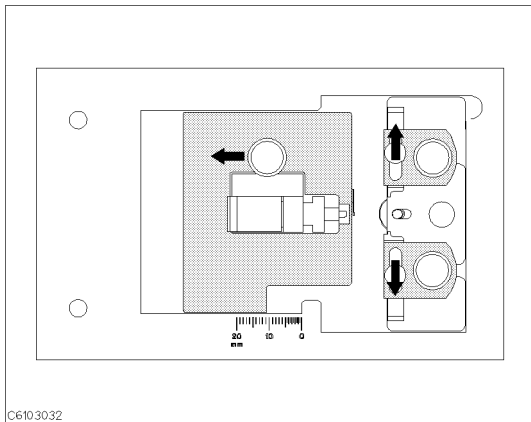
Setting the SHORT condition



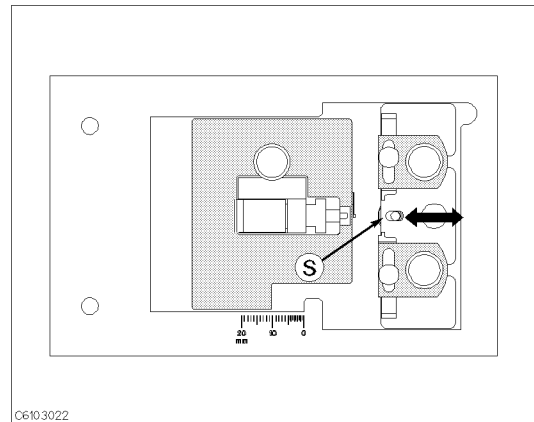
The names of each part are listed above.



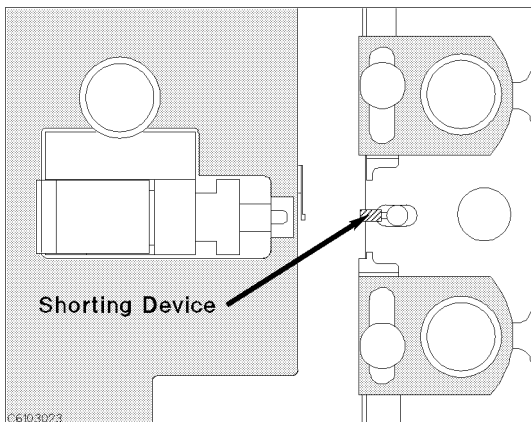
1. Loosen the three knobs.



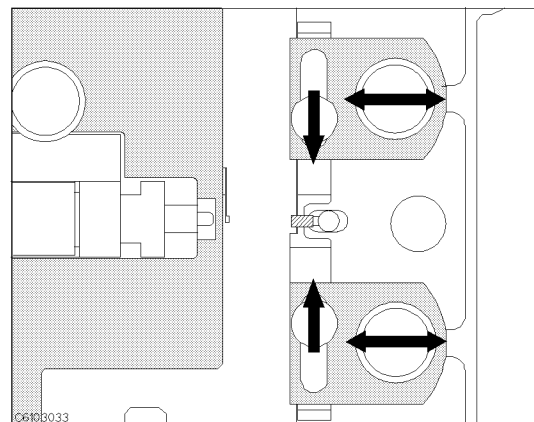
2. Move stage A and the two device holders to the outside.



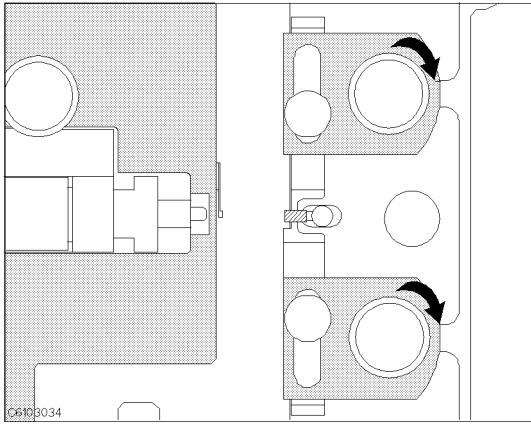
3. Adjust stage C so that the shorting device is placed on position S.



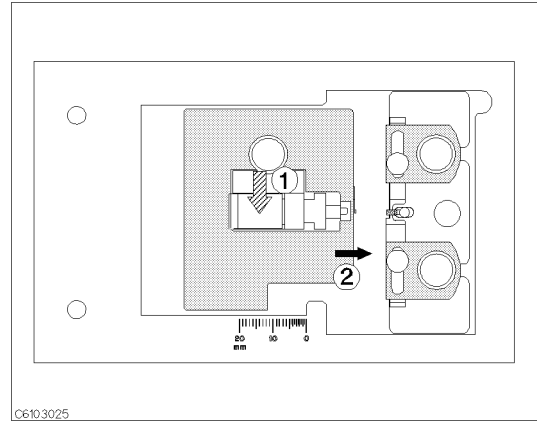
4. Place the shorting device so that it contacts the electrode.



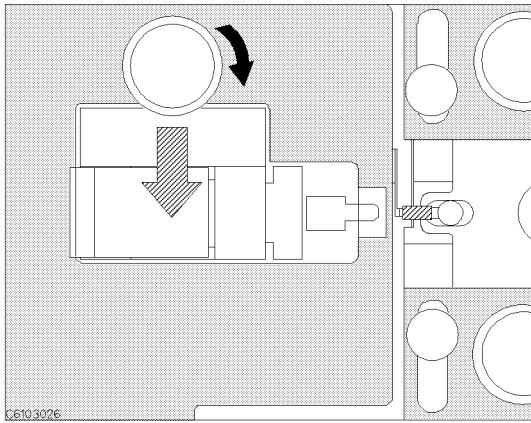
5. Adjust the two B stages and the two device holders to hold the shorting device.



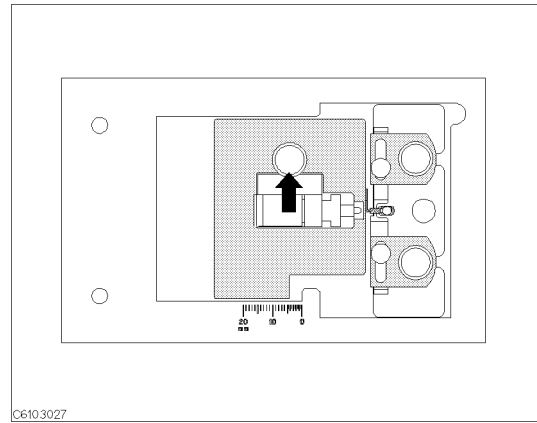
6. Tighten the two B knobs to fix the B stages and the device holders.



7. ① Push the lever. ② Slide stage A while pushing the lever until the electrode on the stage A slightly contacts the shorting device.

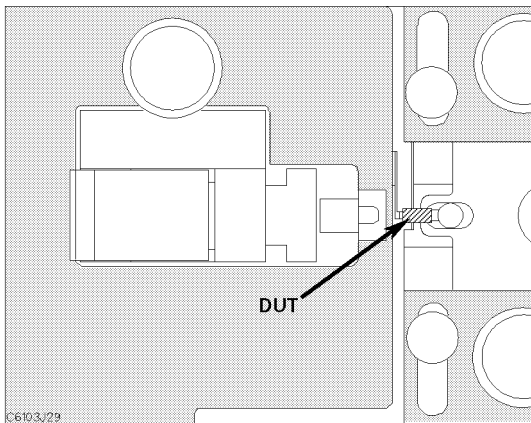


8. Tighten knob A while pushing the lever.

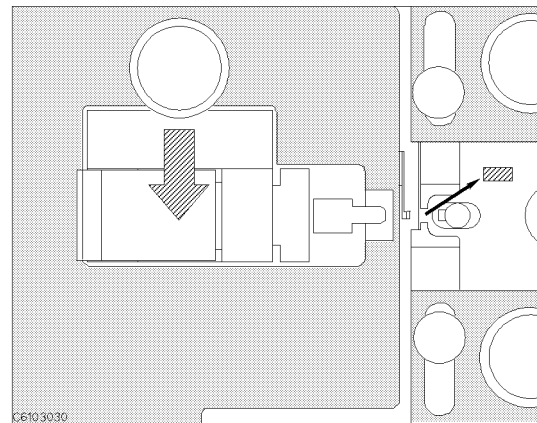


9. Release the lever to hold the shorting device.

Setting the OPEN condition

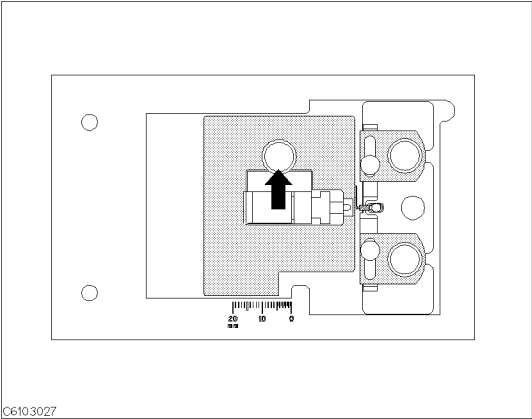
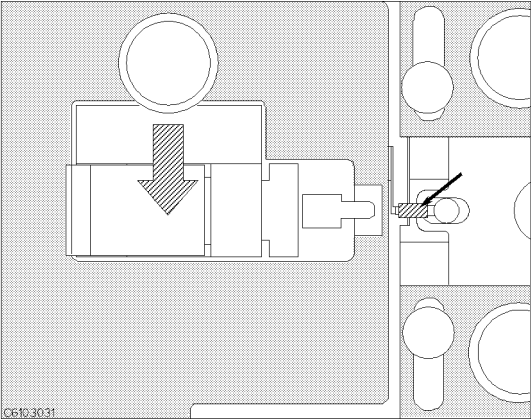


1. Set the DUT on the test fixture just as you set the shorting device in the SHORT compensation.



2. Push the black lever and remove the DUT.

How to connect the DUT



1. Push the lever and place the DUT on the electrode.
2. Release the lever to hold the DUT.

Service

Introduction

This chapter covers the following subjects:

- General Information
- Assembly Replacement
 - Disassembly Procedure for main assembly
 - Replaceable Parts
- Troubleshooting

Warning



These servicing instructions are for use by qualified personnel only. Do NOT perform any servicing (other than that contained in the operating section) unless you are qualified to do so.

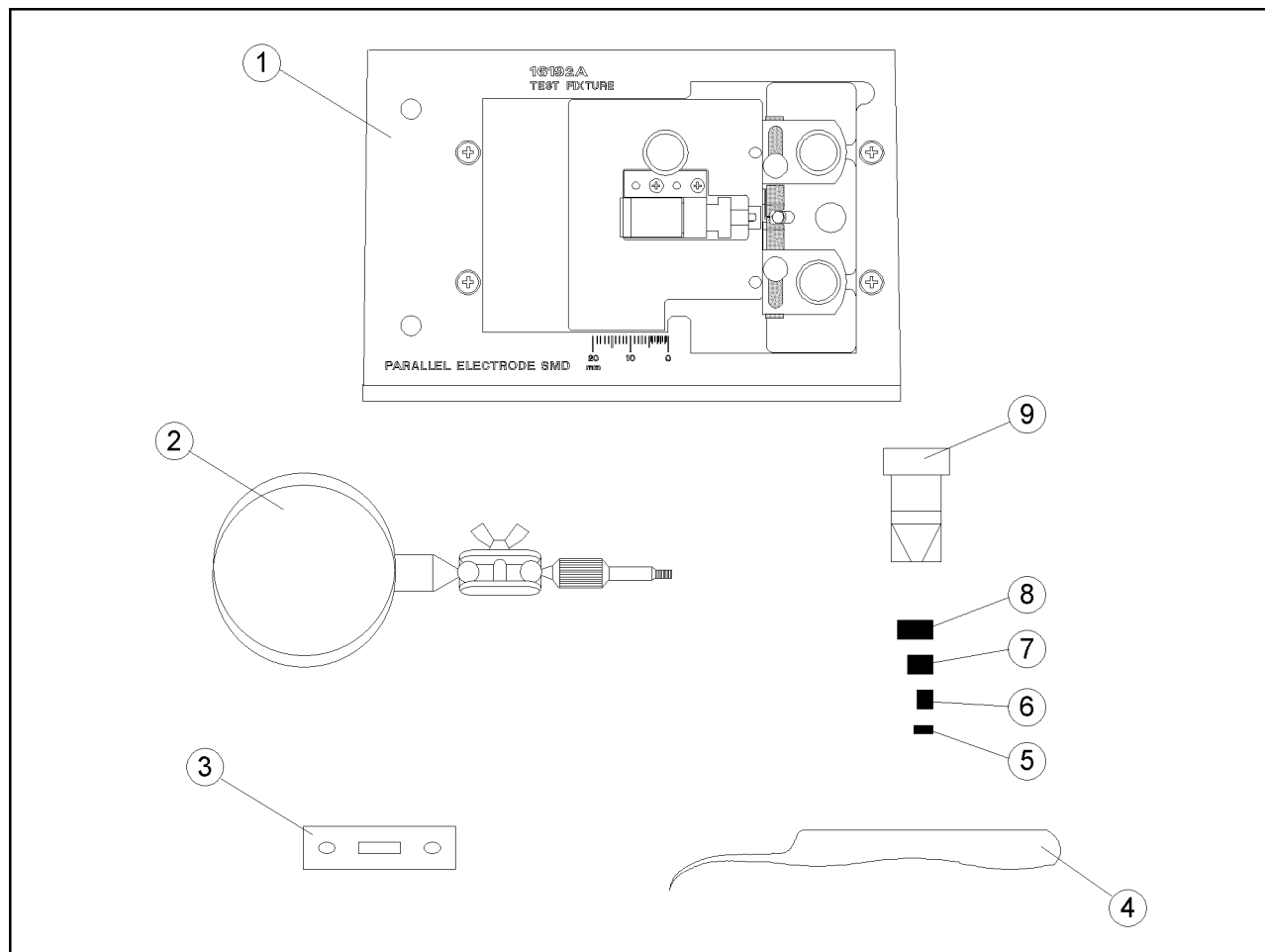
Caution



When you repair the 16192A, put on lint-free gloves to avoid contaminating inner parts of the 16192A. Agilent Technologies supplies lint-free gloves (Agilent part number 9300-0163).

General Information

Table 4-1 shows all items included with the 16192A Parallel Electrode SMD Test Fixture.



ac104010

Figure 4-1. 16192A Product Overview

Table 4-1. 16192A Product Overview

Reference Designator	Agilent Part Number	Qty.	Description
1	(not assigned)	1	Main Assembly
2	16193-60002	1	Magnifying Glass ¹
3	16192-09002	1	Insulator
4	8710-2081	1	Tweezers ¹
5	16191-29001	1	Shorting Device (1×1×2.4 mm) ²
6	16191-29002	1	Shorting Device (1.6×2.4×2 mm) ²
7	16191-29003	1	Shorting Device (2.4×2.4×3.2 mm) ²
8	16191-29004	1	Shorting Device (2.4×2.4×4.5 mm) ²
9	1540-0692	1	Case for shorting devices
-	16191-29021	1	Styrofoam Holder ³
-	16192-90040	1	Operation and Service Manual ³

1 Contained if you ordered the 16191A option 710.

2 Contained if you ordered the 16191A option 701.

3 Not shown in the figure.

4.2 Service

Assembly Replacement

This section includes Disassembly and Assembly Procedures and Replacement Parts for the Main Assembly.

Disassembly and Assembly Procedure

This section contains the information required to disassemble and assemble the Main Assembly.

Length Positioning Stage Assembly Removal:

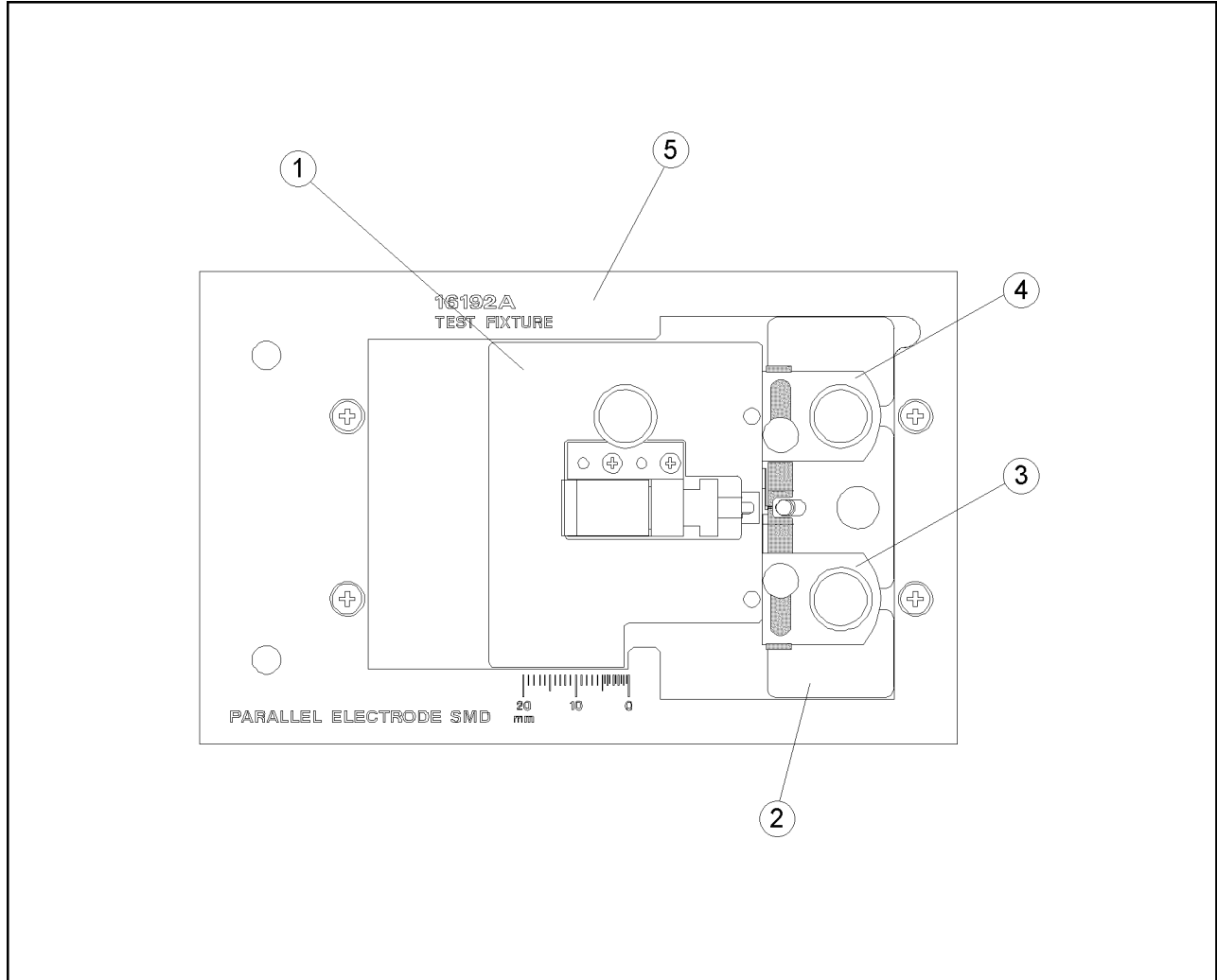
1. Loosen the Length Locking Knob (“1” in Table 4-3).
2. Remove the Length Positioning Stage Assembly (“1” in Table 4-2).

Width Positioning Stage Assembly Removal:

1. Loosen each Width Positioning Knob (“1” in Table 4-5).
2. Remove each Width Positioning Stage Assembly (“3” and “4” in Table 4-2).
3. Remove the Device Stage (“2” in Table 4-2).

Replaceable Parts

Table 4-2 through Table 4-5 show and list the replaceable parts for the 16192A. The parts listed can be ordered from your nearest Agilent Technologies Office. Ordering information must include the Agilent part number and the quantity required.

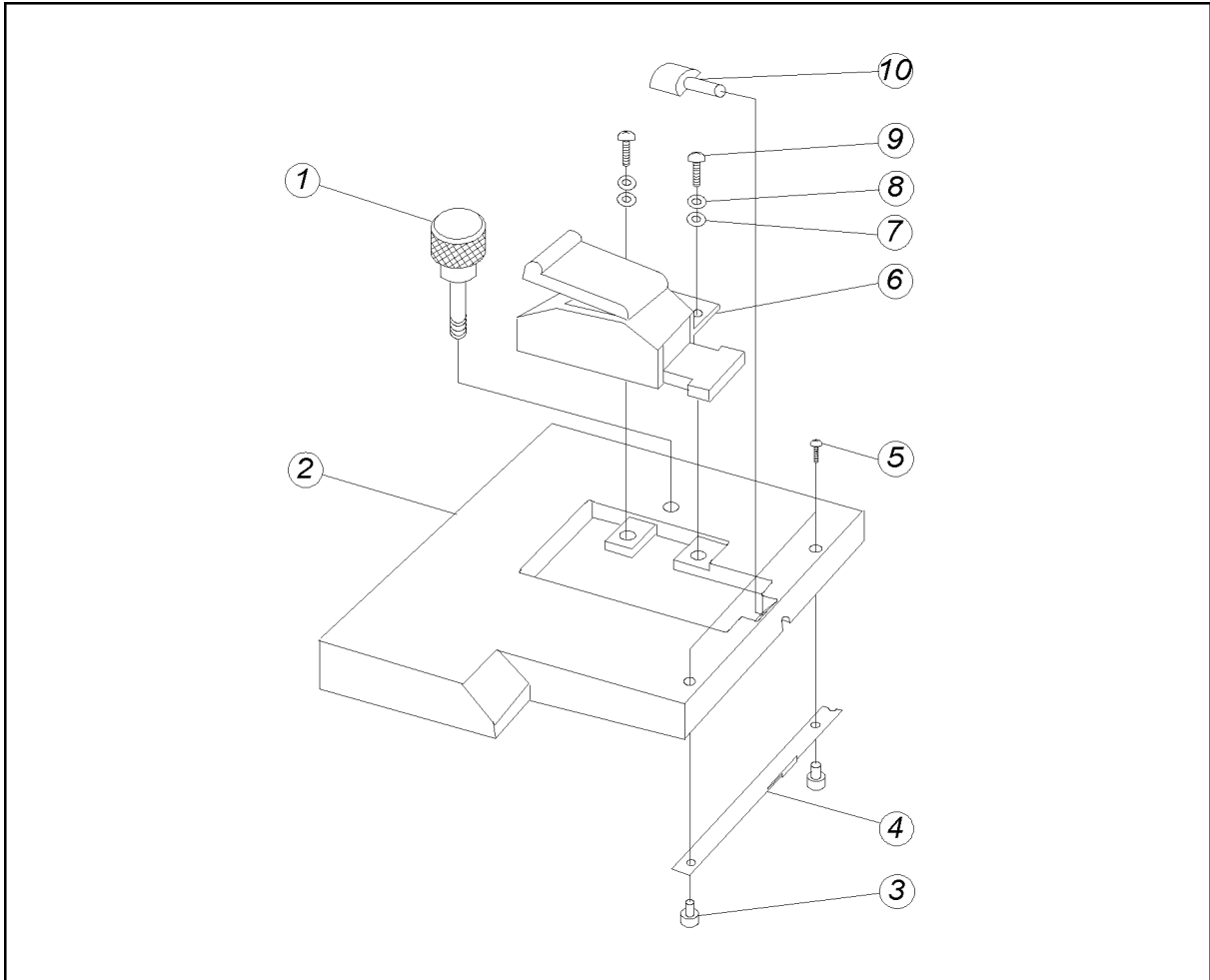


ac104011

Figure 4-2. Replaceable Parts for Main Assembly

Table 4-2. Replaceable Parts for Main Assembly

Reference Designator	Agilent Part Number	Qty.	Description
1	(not assigned)	1	Length Positioning Stage Assembly
2	16192-09001	1	Device Stage
3	(not assigned)	1	Width Positioning Stage Assembly
4	(not assigned)	1	Width Positioning Stage Assembly
5	(not assigned)	1	Test Stage Assembly

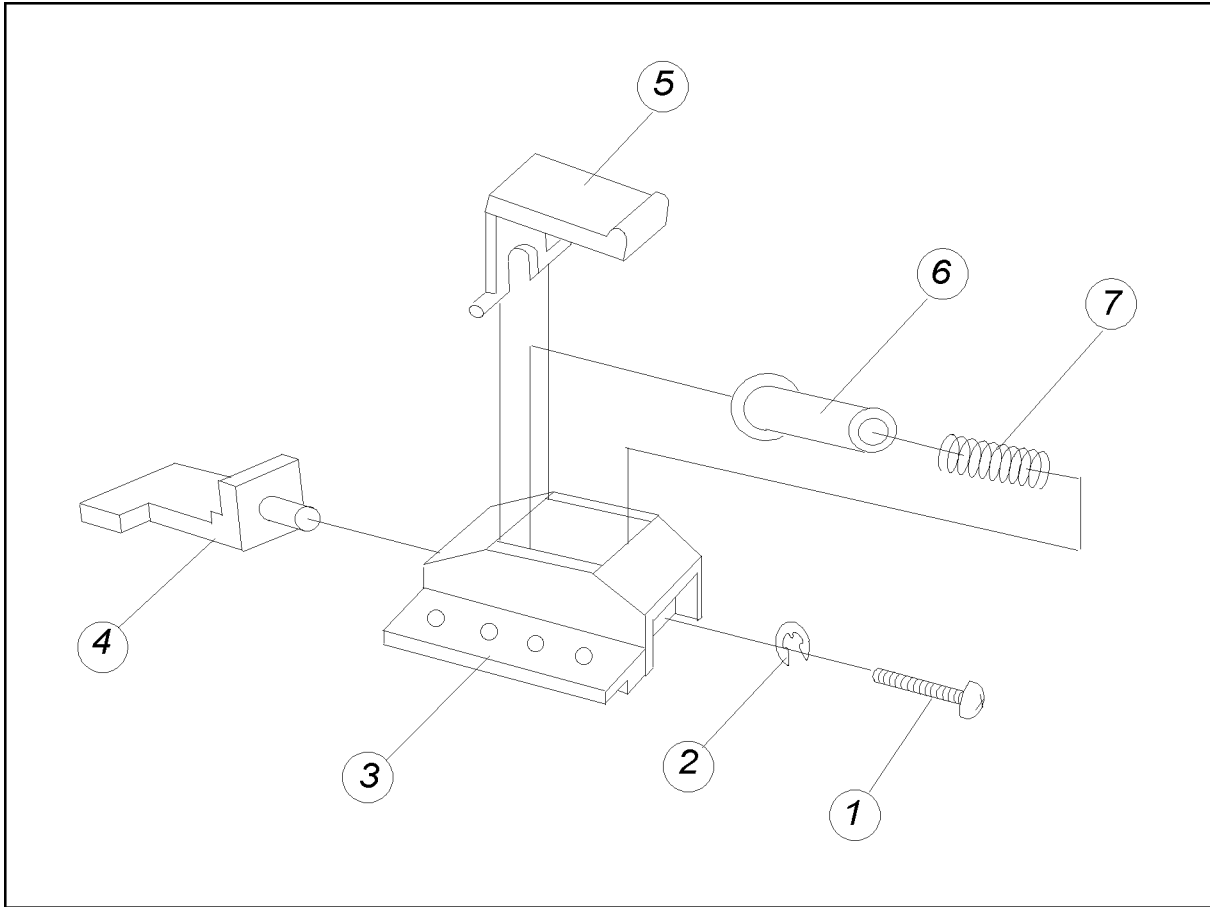


AC104003

Figure 4-3. Replaceable Parts for Length Positioning Stage Assembly

Table 4-3. Replaceable Parts for Length Positioning Stage Assembly

Reference Designator	Agilent Part Number	Qty.	Description
1	16192-24006	1	Length Locking Knob
2	16192-20002	1	Length Positioning Stage Block
3	16192-23001	2	Nut
4	16192-01202	1	Contact
5	0515-2421	2	Screw M1.4L3
6	(not assigned)	1	Insertion Clip Assembly
7	3050-1066	2	Washer
8	2190-0654	2	Washer
9	0515-0976	2	Screw Pan Head M2L6
10	16192-25004	1	Rod

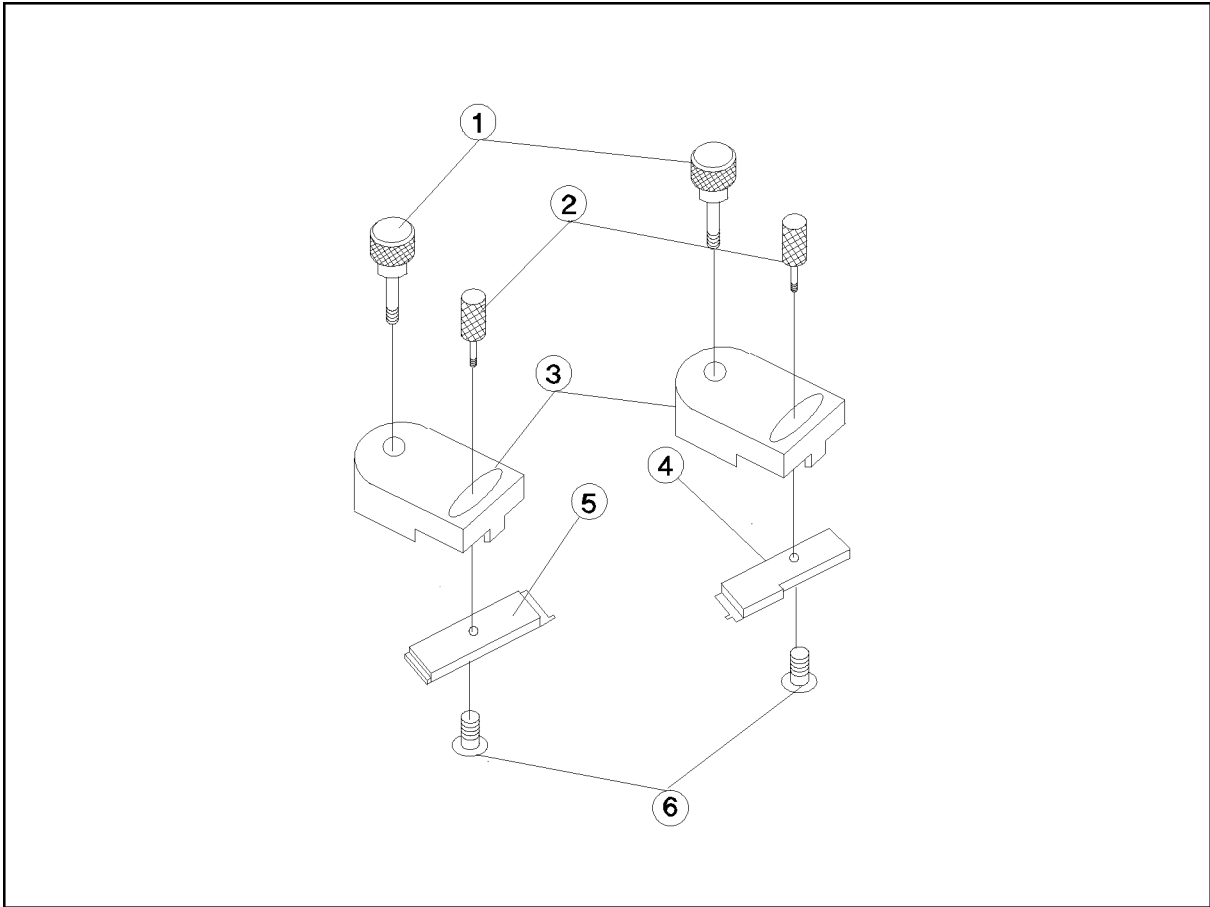


AC104004

Figure 4-4. Replaceable Parts for Insertion Clip Assembly

Table 4-4. Replaceable Parts for Insertion Clip Assembly

Reference Designator	Agilent Part Number	Qty.	Description
1	0520-0133	1	Screw
2	2190-0014	1	Washer
3	16092-40010	1	Holder
4	16092-40016	1	Holder
5	16092-40011	1	Lever
6	16092-23010	1	Shaft
7	1460-0352	1	Spring

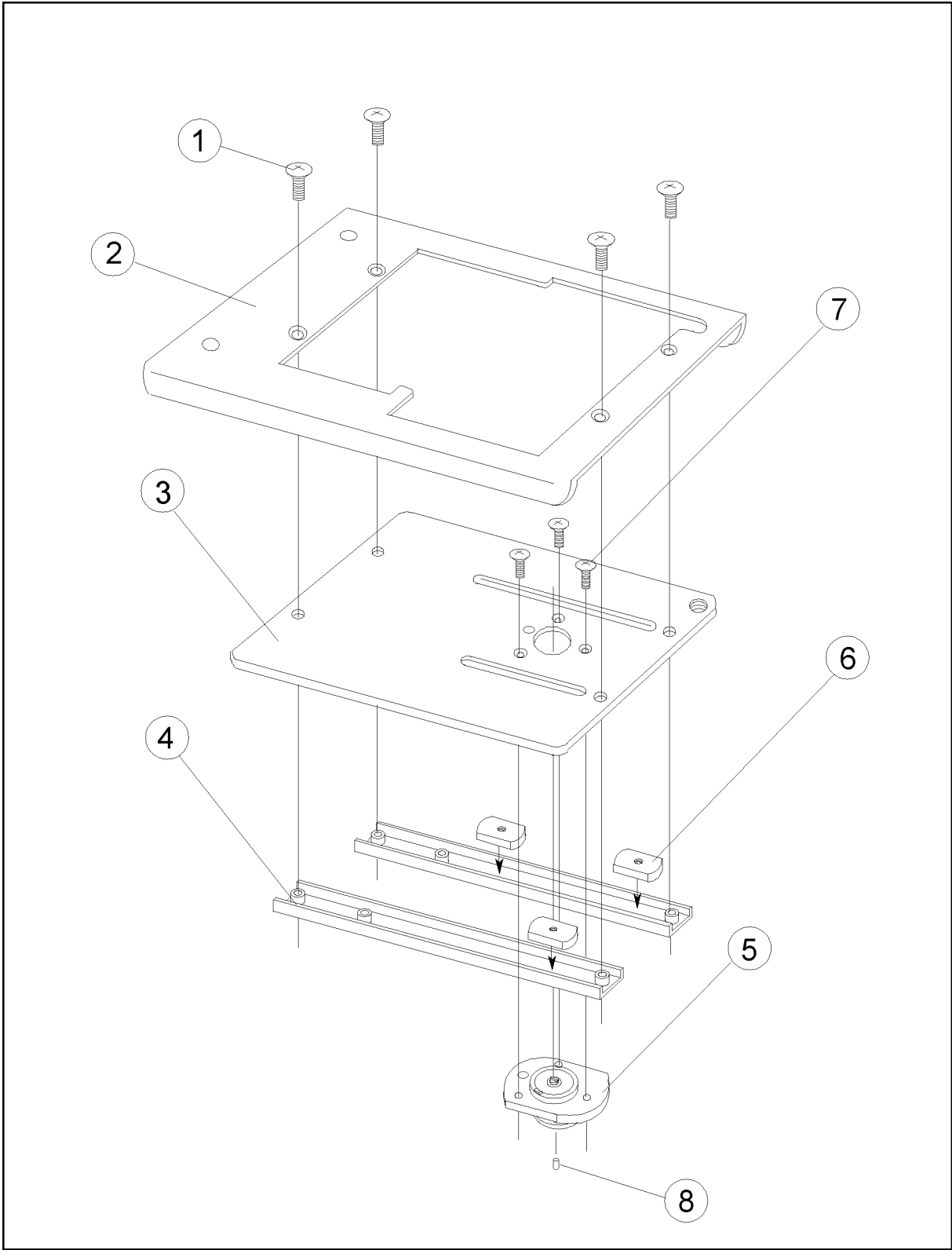


AC104005

Figure 4-5. Replaceable Parts for Width Positioning Stage Assembly

Table 4-5. Replaceable Parts for Width Positioning Stage Assembly

Reference Designator	AgilentPart Number	Qty.	Description
1	16192-24006	2	Width Positioning Knob
2	16192-24005	2	Device Holder Adjustment Knob
3	16192-24004	2	Holder
4	16192-25002	1	Device Holder L
5	16192-25003	1	Device Holder R
6	0515-0994	2	Screw Flat Head M2L6



AC104009

Figure 4-6. Replaceable Parts for Test Stage Assembly

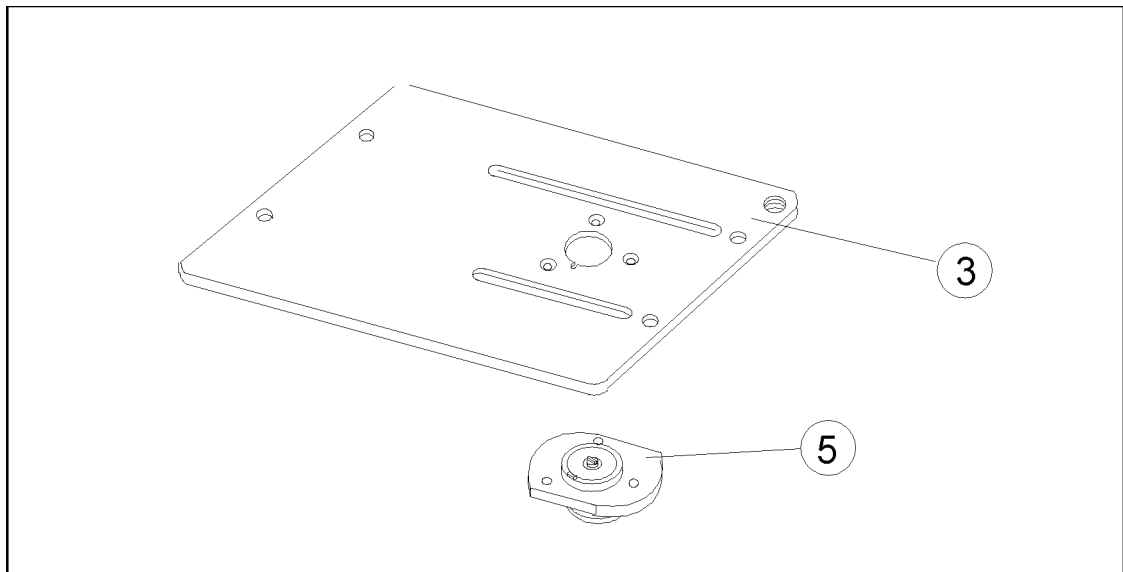
Table 4-6. Replaceable Parts for Test Stage Assembly

Reference Designator	Agilent Part Number	Qty.	Description
1	0515-0914	4	Screw Flat Head M3L6
2	16192-00201	1	Table
3	16192-00603	1	Plate
4	16192-01201	2	Angle
5	16192-60001	1	Contact Assembly
6	16192-24013	3	Nut
7	0515-0952	3	Screw Flat Head M2L4
8	1250-0907	1	Contact-RF Connector

Caution



If your 16192A test fixture was manufactured earlier than 1996 and you need to replace either the plate (Figure 4-7: 3) or the contact assembly (Figure 4-7: 5), it will be necessary to buy replacements for both parts (Figure 4-6: 3 and 5) since they were modified at the same time. Neither of the new parts (Figure 4-6: 3 and 5) can be fitted to the other obsolete parts (Figure 4-7: 3 and 5).



AC104012

Figure 4-7. Obsolete parts manufactured earlier than 1996

Troubleshooting

This section includes the functional check procedure used to troubleshoot the 16192A Parallel Electrode SMD Test Fixture.

Open Impedance Check

1. Adjust the electrode distance for connecting the 1×1×2.4 mm Shorting Device (PN 16191-29001).
(Refer to Figure 4-8.)

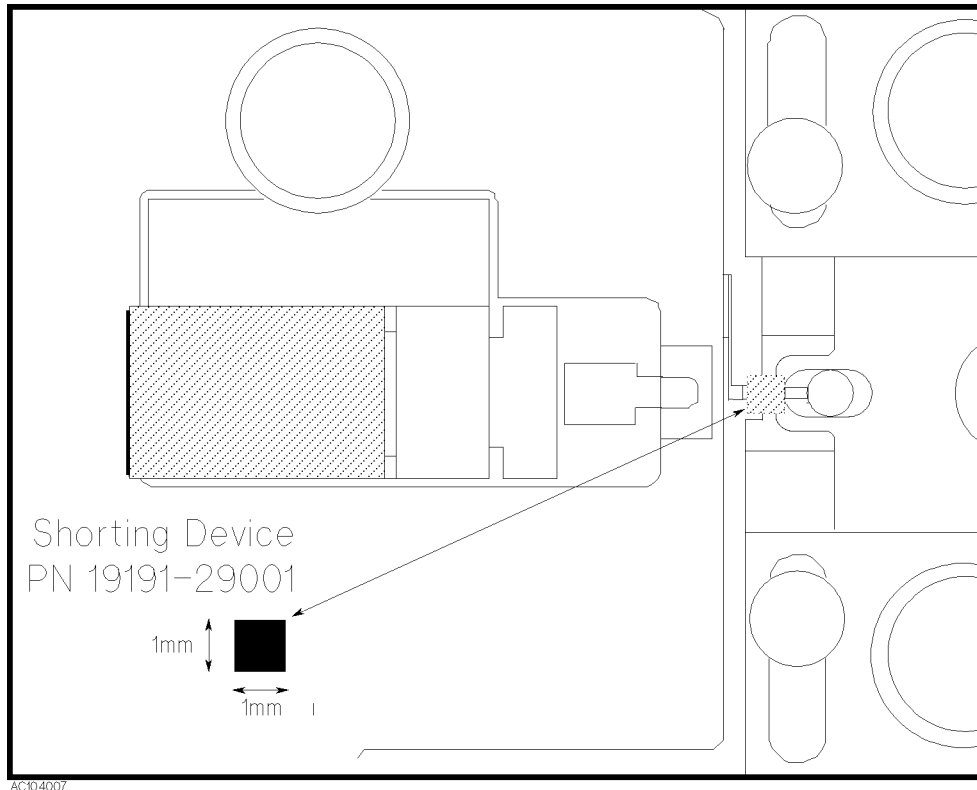


Figure 4-8. Shorting Device Position

2. Place the fixture on the calibrated APC-7[®] terminal of the 4291B RF Impedance/Material Analyzer.
3. Set the 4291B RF Impedance/Material Analyzer as follows:

Measurement Parameter	Cp (parallel capacitance)
Start Frequency	100 MHz
Stop Frequency	1 GHz
OSC Level	0.12 V
Number of Point	2
Point Averaging Factor	16
Point Averaging	ON

4. Perform a single sweep measurement.
5. Read Cp value at 100 MHz and 1 GHz.

The guideline for the open impedance value is as follows:

4.10 Service

Table 4-7. Open Impedance Value Guideline

Parameter	Frequency	Guideline (absolute value)
Cp	100 MHz	750 fF ± 300 fF
Cp	1 GHz	750 fF ± 300 fF

Short Impedance Check

1. After the Open Impedance Check is completed, put the 1×1×2.4 mm Shorting Device (PN 16191-29001) between the electrodes (refer to Figure 4-8).
2. Set the 4291B RF Impedance Analyzer as follows:

Measurement Parameter	Ls (series inductance)
Start Frequency	100 MHz
Stop Frequency	1 GHz
OSC Level	0.12 V
Number of Point	2
Point Averaging Factor	16
Point Averaging	ON

3. Make a single sweep measurement.
4. Read Ls value at 100 MHz and 1 GHz.

The guideline of the short impedance value is as follows:

Table 4-8. Short Impedance Value Guideline

Parameter	Frequency	Guideline (absolute value)
Ls	100 MHz	4.5 nH ± 1.5 nH
Ls	1 GHz	4.5 nH ± 1.5 nH

Short Impedance Repeatability Check

1. After the Short Impedance Check is completed, remove the Shorting Device and put it back on the same place again (refer to Figure 4-8).
2. Make a single sweep measurement with the same measurement conditions.
3. Read Lp value at 100 MHz and 1 GHz and check the value is within the Short Impedance Value Guideline described in Table 4-8.
4. Calculate the difference between the first Ls measurement value and second Ls measurement value at each frequency.

The guideline for the short impedance repeatability is as follows:

Table 4-9. Short Impedance Repeatability Guideline

Parameter	Frequency	Guideline (difference)
Ls	100 MHz	± 45 pH
Ls	1 GHz	± 20 pH

REGIONAL SALES AND SUPPORT OFFICES

For more information about Agilent Technologies test and measurement products, applications, services, and for a current sales office listing, visit our web site: <http://www.agilent.com/find/tmdir>. You can also contact one of the following centers and ask for a test and measurement sales representative. 11/29/99

United States:

Agilent Technologies
Test and Measurement Call Center
P.O.Box 4026
Englewood, CO 80155-4026
(tel) 1 800 452 4844

(fax) (61 3) 9272 0749
(tel) 0 800 738 378 (New Zealand)
(fax) (64 4) 802 6881

Canada:

Agilent Technologies Canada Inc.
5150 Spectrum Way
Mississauga, Ontario
L4W 5G1
(tel) 1 877 894 4414

Asia Pacific:

Agilent Technologies
24/F, Cityplaza One, 1111 King's Road,
Taikoo Shing, Hong Kong
(tel) (852)-3197-7777
(fax) (852)-2506-9284

Europe:

Agilent Technologies
Test & Measurement
European Marketing Organization
P.O.Box 999
1180 AZ Amstelveen
The Netherlands
(tel) (31 20) 547 9999

Japan:

Agilent Technologies Japan Ltd.
Call Center
9-1, Takakura-Cho, Hachioji-Shi,
Tokyo 192-8510, Japan
(tel) (81) 426 56 7832
(fax) (81) 426 56 7840

Latin America:

Agilent Technologies
Latin American Region Headquarters
5200 Blue Lagoon Drive, Suite #950
Miami, Florida 33126
U.S.A.
(tel) (305) 267 4245
(fax) (305) 267 4286

Australia/New Zealand:

Agilent Technologies Australia Pty Ltd
347 Burwood Highway
Forest Hill, Victoria 3131
(tel) 1-800 629 485 (Australia)

This information is subject to change without notice.

© Keysight Technologies 1993 - 2015

Edition 8, February 2015



16192-90040
www.keysight.com